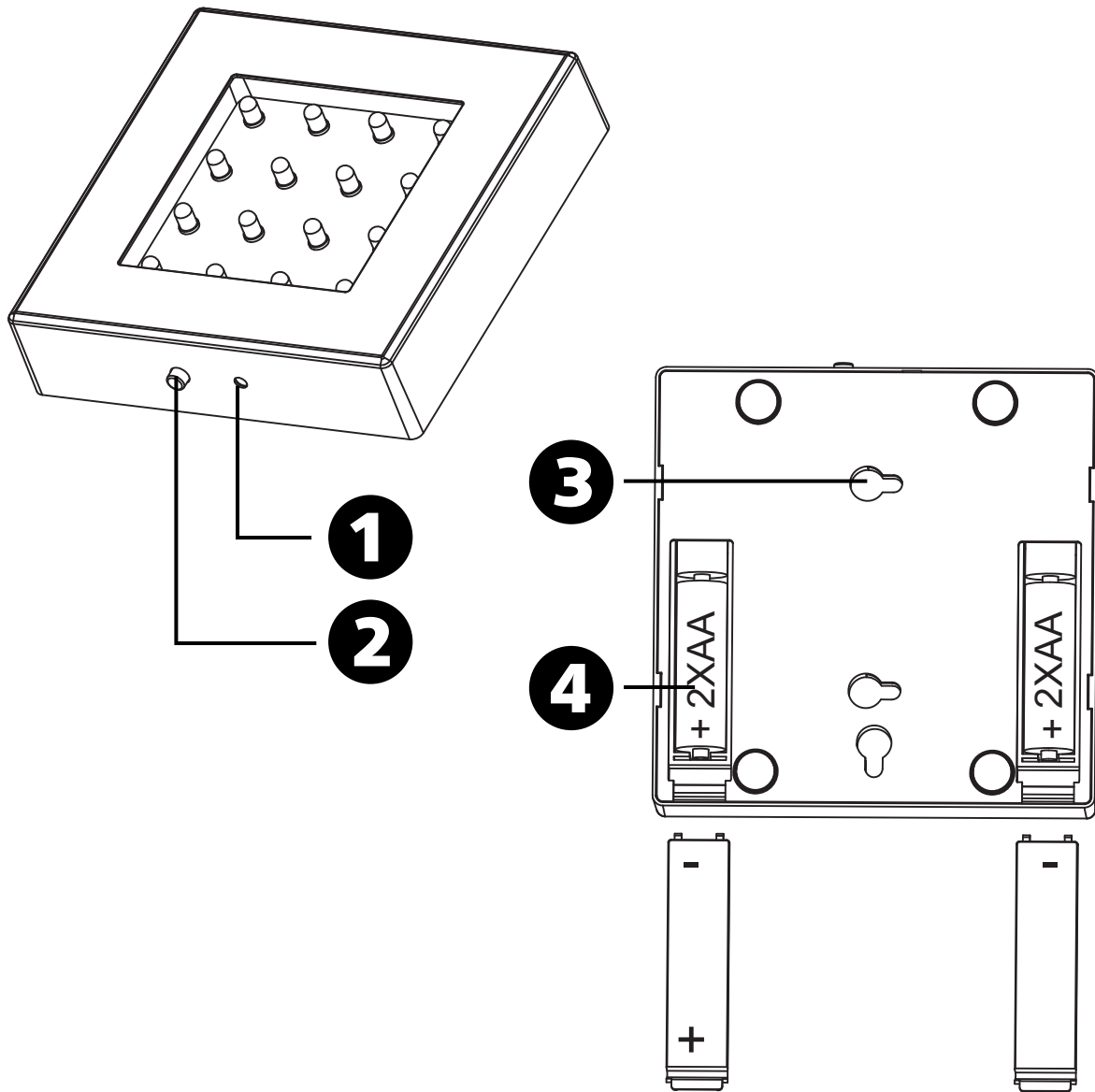


LED Light Base

Model LB-5W



Instructional Information

- 1 6VDC, 350mA Receptacle** - Adapter not included
- 2 On/Off Button** - To turn the product on/off.
- 3 Wall Mounting Holes**
- 4 Battery Compartment** - Powered by 4xAAA batteries, not included

Notes for Battery Usage

Always use good quality Alkaline Batteries and never mix used and new batteries when replacing. Make sure batteries are inserted with the correct polarity and removed when completely exhausted.