

Paper Lantern Light

Model PLL-12W

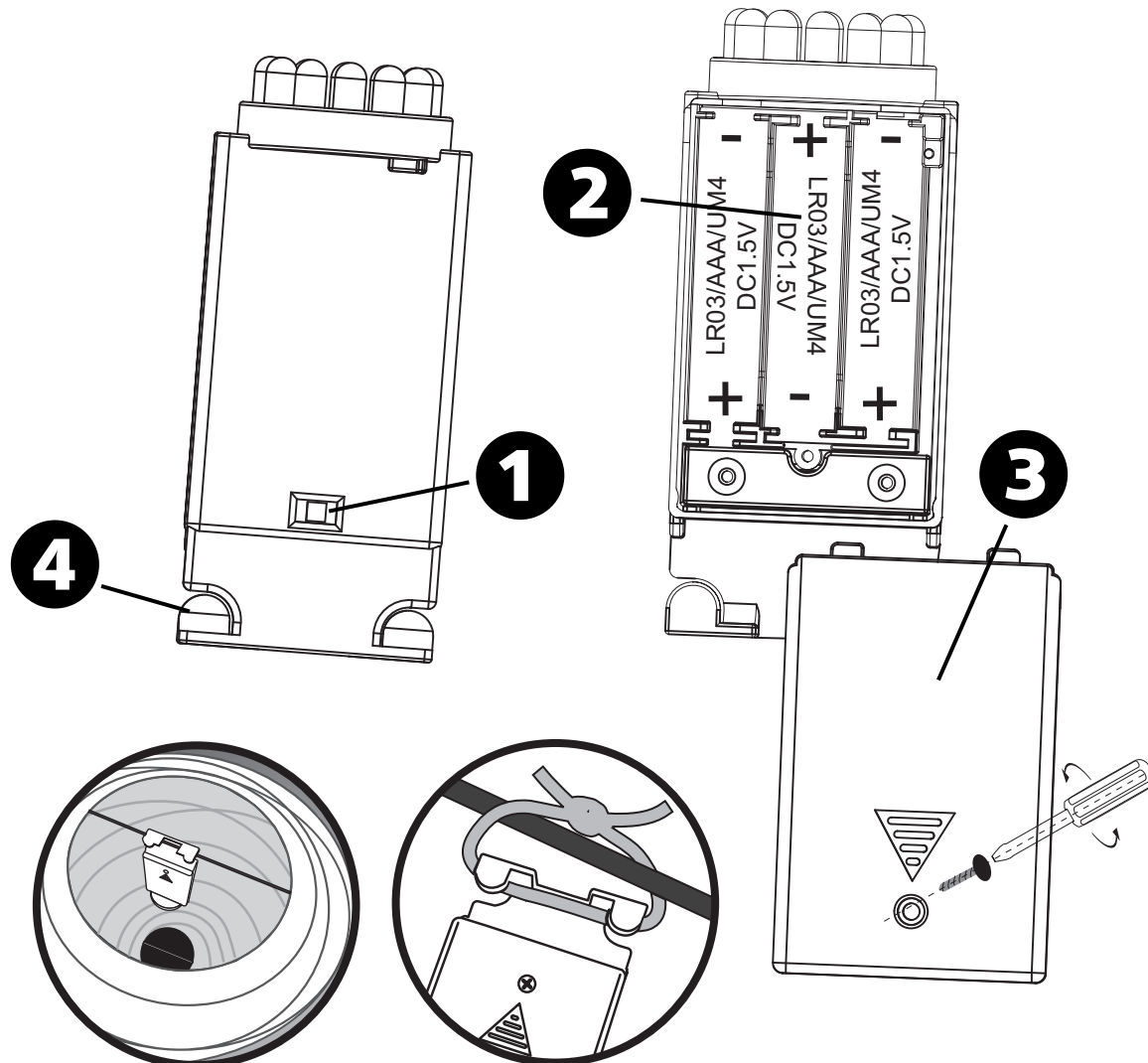


Figure 1

Figure 2

Instructional Information

- 1 On/Off Slide Switch** - To turn the product on/off.
- 2 Battery Power** - 3xAAA batteries, not included
- 3 Battery Compartment Cover** - Remove screw and slide off. The cover will lock into place without replacing the screw.
- 4 Hanger** - Attach/Hang from the internal metal cross bar(Figure 1) located at the top of your paper lantern, this is the bar the paper lantern is usually hung from. If for some reason the PLL-12W Hanger cannot attach to your lantern as described, it can be attached by looping string (Figure 2) around the Hanger portion and then secure to any upper support component of the lantern.

Notes for Battery Usage

Always use good quality Alkaline Batteries and never mix used and new batteries when replacing. Make sure batteries are inserted with the correct polarity and removed when completely exhausted.